



MOSQUITO MAGNET[®]

Liberty

OPERATION MANUAL



Your trap will begin capturing immediately, but allow 4-6 weeks to interrupt the breeding cycle.

US Patents: No. 6,145,243, No. 6,286,249
AU Patent No. 726575, NZ Patent No. 335035

For Outdoor Use Only



NOTICE: PLEASE READ THE ENTIRE MANUAL BEFORE ASSEMBLING AND STARTING UP YOUR MOSQUITO MAGNET LIBERTY.



MOSQUITO MAGNET[®] Liberty

TABLE OF CONTENTS

| | |
|-----------------------------|------|
| Safety..... | 2-4 |
| Parts included..... | 5 |
| Tools needed..... | 5 |
| Hardware included..... | 6 |
| Assembly instructions..... | 7-10 |
| Trap Placement..... | 10 |
| Start-Up Instructions..... | 11 |
| Shut-Down Instructions..... | 11 |
| Tank Changing Tips..... | 11 |
| For Best Results..... | 12 |
| Quick-Clear valve..... | 12 |
| Gas Reset Tool..... | 13 |
| Maintenance..... | 13 |
| Troubleshooting..... | 14 |
| Burying The Cord..... | 15 |
| Operation Codes..... | 15 |
| Warranty..... | 15 |

SAFETY INSTRUCTIONS

FOR YOUR SAFETY

If you smell gas:

1. Shut off gas to the appliance.
2. Extinguish any open flame.
3. If odor continues, immediately call your gas supplier.

FOR YOUR SAFETY

Do not store or use gasoline or other flammable vapors and liquids in the vicinity of this or any other appliance.

WARNING: For Outdoor Use Only

HOW THE MOSQUITO MAGNET WORKS

Humans exhale carbon dioxide (CO₂), which has been scientifically proven to be the natural compound that mosquitoes and other biting insects use to navigate to people. The Mosquito Magnet mimics a person's breath by catalytically converting propane to carbon dioxide (CO₂). The Mosquito Magnet can be placed near the mosquito's resting and breeding spots, trapping the mosquitoes at their source (see trap placement section). The female, egg-laying, biting mosquitoes are drawn away from you and to the Mosquito Magnet, where they are vacuumed into a net and dehydrate. Within 4-6 weeks, the reproductive cycles of your biting insect population are interrupted. **NO EGGS. NO INSECTS.** The Mosquito Magnet targets only biting insects, not beneficial insects such as butterflies, bees and moths.



Congratulations on your Mosquito Magnet purchase!
Please read your owner's manual completely before assembling and operating your unit.

1

| | |
|------------------------------|----------------|
| Model No.: | LIBERTY |
| Serial No.: | |
| Type of Gas: | Propane |
| Manifold Pressure: | 100-110 psi |
| Minimum Gas Supply Pressure: | 11.0 in. WC |
| Input Rating: | 650Btu/Hr. |
| Minimum Clearances: | 20-24" |

For Outdoor Use Only. If Stored Indoors, Detach and Leave Propane Cylinder Outdoors.



2

■ **WARNING:** Improper installation, adjustment, alteration, service or maintenance can cause injury or property damage. Read the installation, operating and maintenance instructions thoroughly before installing or servicing this equipment.

- **CAUTION:** The gas pressure regulator provided with this appliance must be used. This regulator is set for an outlet pressure of 11.0 in. Water Column.
- The gas supply must be turned off at the LP-Gas supply cylinder when this appliance is not in use.
- The installation must conform with local codes or, in the absence of local codes, with the National Fuel Gas Code, ANSI Z223.1-1998 for US and with the CAN1-B149 for Canada.
- Adequate clearances of 20-24 inches around air openings into the combustion chamber, clearances from combustible material, provisions for accessibility and for combustion and ventilating air supply.
- The minimum inlet gas supply pressure is 11"WC from regulator.
- To test for a gas leak, place soapy water around the regulator. If bubbles appear, there is a gas leak.
- Route the power cord in the safest possible manner to avoid personal injury.
- The hose assembly must be replaced prior to the appliance being put into operation if there is evidence of excessive abrasion or wear, or if the hose is damaged. The instructions shall state that the replacement hose assembly shall be that specified by the manufacturer.
- The Mosquito Magnet is equipped with a hot surface ignition device. Failure to follow starting procedure will result in the trap not starting.

Children and adults should be alerted to the hazards of high surface temperatures and should stay away to avoid burns or clothing ignition.

Young children should be carefully supervised when they are in the area of the heater. Keep out of reach of children.

Clothing or other flammable materials should not be hung from the heater, or placed on or near the heater.

- Installation and repair should be done by a qualified service person. The heater should be inspected before use and at least annually by a qualified service person. More frequent cleaning may be required as necessary. It is imperative that the control compartment, burners, and circulating air passageways of the heater be kept clean.
- Keeping the Mosquito Magnet area clear and free from combustible materials, gasoline, and other flammable vapors and liquids. The appliance is not to be used in locations where flammable vapor or explosive dust is likely to exist.
- Do not obstruct the flow of combustion and ventilation air.
- Keeping the ventilation openings of the cylinder enclosure free and clear from debris.
- Clean the Mosquito Magnet with a water damp cloth, if necessary.
- A maximum of a 20 lb. LP-Gas cylinder shall be used.

- The LP-Gas cylinder must be provided with a shutoff valve terminating in an LP-Gas supply cylinder valve outlet specified for Connection No. 510 in the Standard for Compressed Gas Cylinder Valve Outlet and Inlet Connections, ANSI/CGA-V-1-1977.
- The LP-Gas cylinder supply system must be arranged for vapor withdrawal and the cylinder must include a collar to protect the cylinder valve.
- The LP-Gas cylinder used shall be constructed and marked in accordance with the specifications for LP-Gas cylinders of the U.S. Department of Transportation (DOT).
- The Mosquito Magnet shall be used outdoors only in a well ventilated space and shall not be used in a building, garage, or any other enclosed area.
- The LP-Gas cylinder must be disconnected and removed from the appliance, if the appliance is stored indoors.
- LP-Gas cylinders must be stored outdoors in a well ventilated area out of the reach of children. Disconnected cylinders must have threaded valve plugs tightly installed and must not be stored in a building, garage, or any other enclosed area.
- The pressure regulator and hose assembly supplied with this appliance must be used for connection to the LP-Gas cylinder. Replacement pressure regulators and hose assemblies must be specified by the manufacturer.
- Avoid improper use of extension cords. Keep connections away from moisture and avoid damage to the cord.
- If the supply cord is damaged, it must be replaced by the manufacturer or its service agent or a similarly qualified person in order to avoid hazard.
- **WARNING-** an electric shock hazard may exist if water from a garden hose is directed at the Mosquito Magnet.

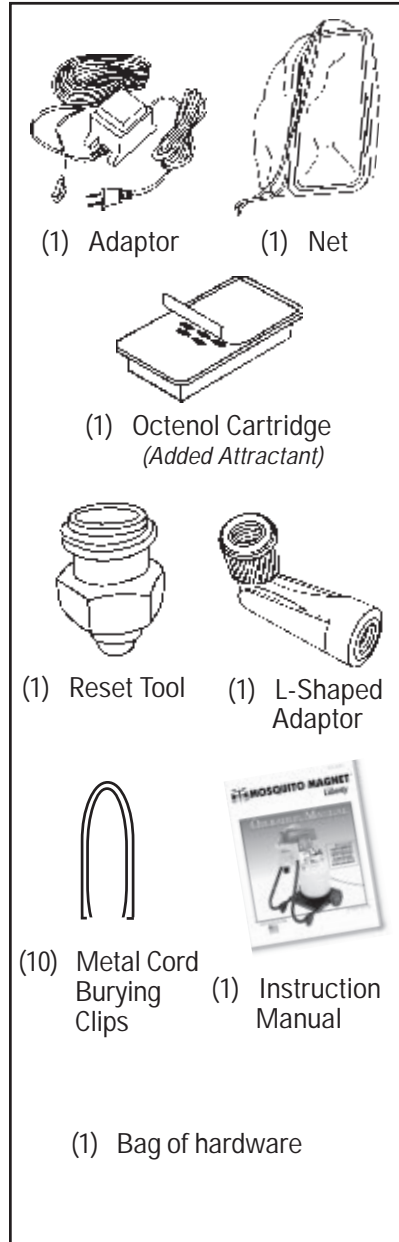
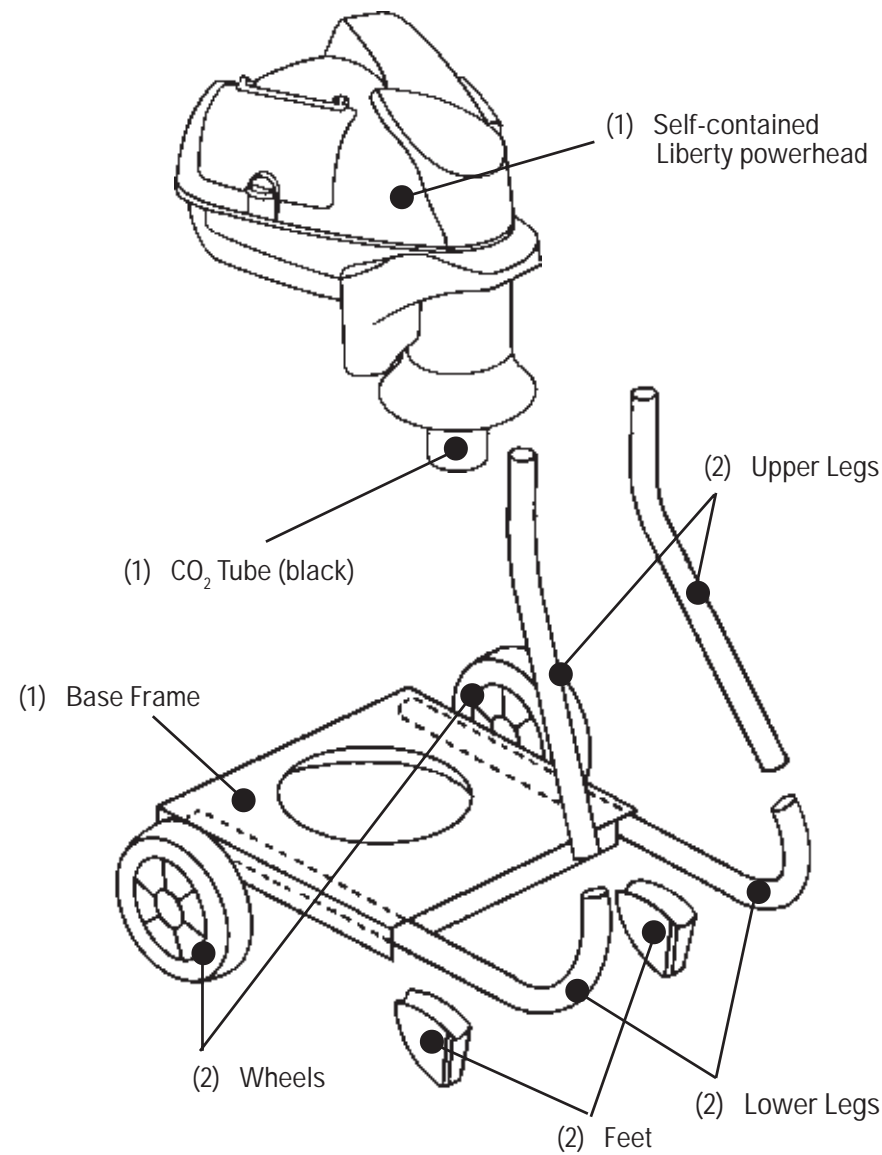


Please contact American Biophysics Corporation if you experience any problems with your Mosquito Magnet:
1-877-699-8727



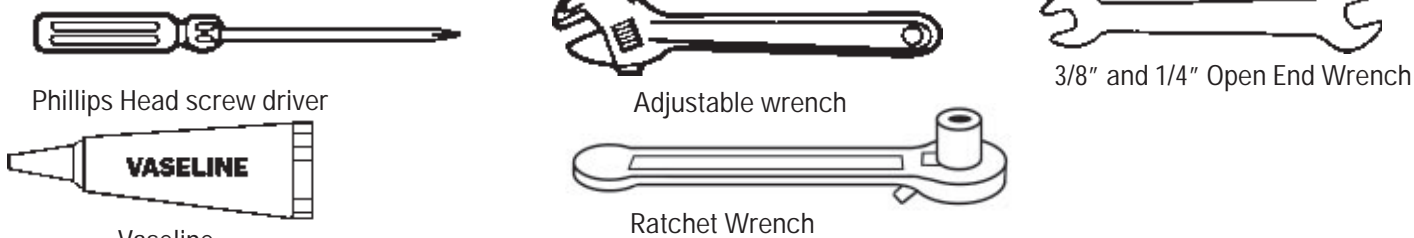
American Biophysics Corporation
2240 South County Trail
East Greenwich, RI 02818-1536
P: 401-884-3500 F: 401-884-6688
www.mosquitomagnet.com
email: info@mosquitomagnet.com

PARTS INCLUDED



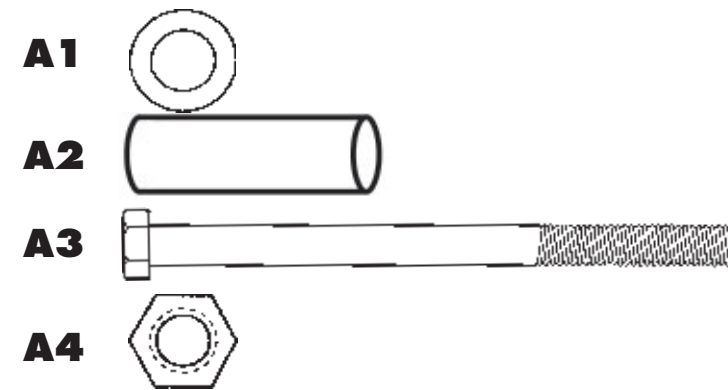
IMPORTANT NOTICE
 Per Federal Regulations, a CO2 Cartridge has not been included with your purchase. Please visit www.mosquitomagnet.com or your local Mosquito Magnet dealer to purchase.

TOOLS NEEDED



HARDWARE INCLUDED

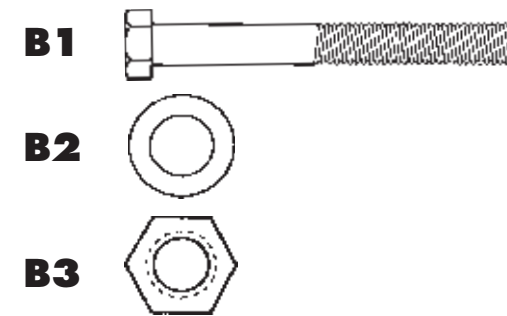
WHEELS: FOR STEPS 3-5



- (2) 3/8" Washers
- (2) 1/2" OD Aluminum Sleeves
- (2) 3/4" Hex Head Bolts
- (2) 3/8"-16 Nyloc Nuts

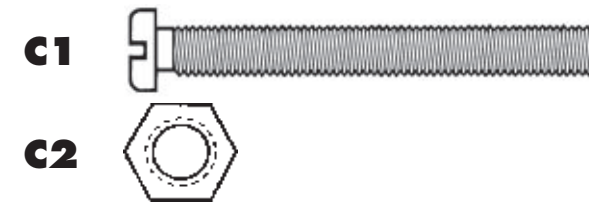
NOTE: All parts are shown at actual size. Use the graphics to match up the corresponding part, or use the ruler provided below.

LEGS TO BASE: FOR STEPS 6-7



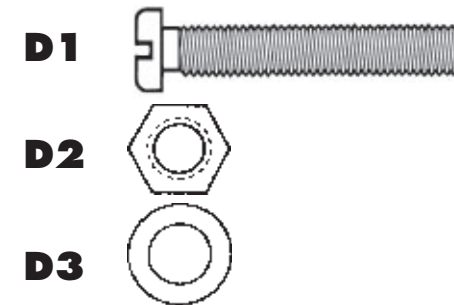
- (2) 3/8" x 2" Hex Head Bolts
- (2) 3/8" Washers
- (2) 3/8" Nyloc Nuts

FEET TO LEGS: FOR STEPS 8-10

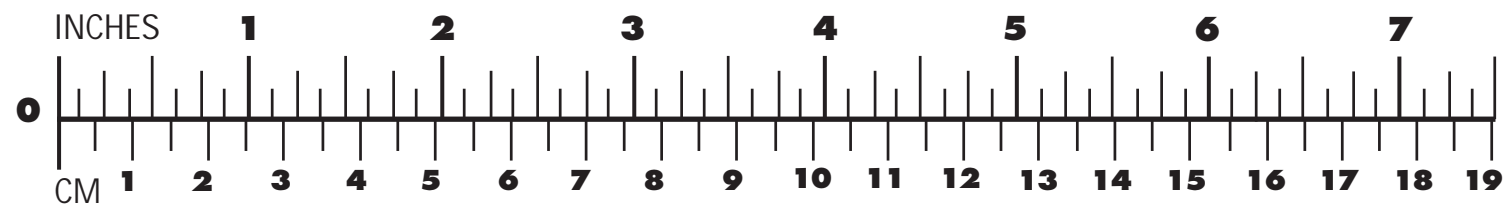


- (2) 1/4"-20 x 2 1/2" Panhead Phillips
- (2) 1/4"-20 Nyloc Nuts

UPPER LEGS TO LOWER LEGS: FOR STEPS 12-13



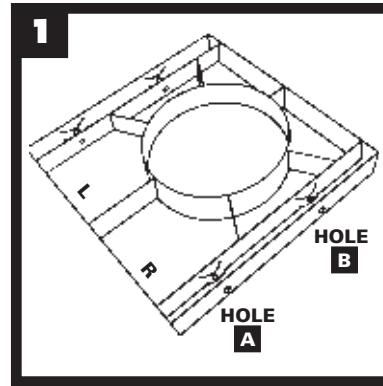
- (2) 1/4"-20 x 1 3/4" Panhead Screws
- (2) 1/4"-20 Nyloc Nuts
- (2) 1/4" Washers



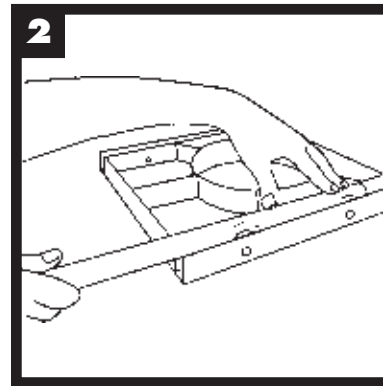
ASSEMBLY INSTRUCTIONS

IMPORTANT NOTES:

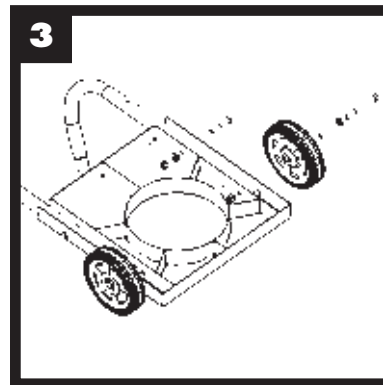
1. Your trap will begin capturing immediately, but allow 4-6 weeks with trap running 24 hours/day to interrupt the breeding cycle.
2. DO NOT MOVE MOSQUITO MAGNET WITH TANK ATTACHED. DISCONNECT TANK FROM REGULATOR BEFORE RELOCATING TRAP TO AVOID DAMAGE TO REGULATOR OR TRAP.
3. Should you experience an interruption of power, be sure to press the Restart button on your trap.
4. Trap can be left running in the rain.



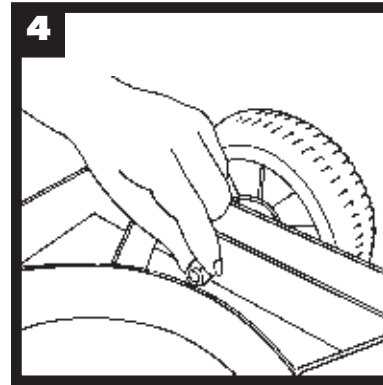
Take base frame and lay *upside down* on a raised flat surface (i.e. table).



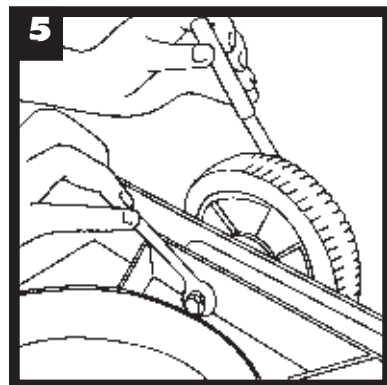
Insert lower legs into base (parts are labeled Left and Right). Align with screw holes and push leg down to snap in.



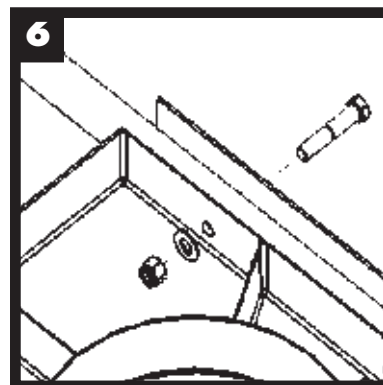
Attach wheel with *flat surface facing out*. Insert washer (A1) and aluminum sleeve (A2) onto longest hex head bolt (A3) and place through hole on flat side of wheel and insert into hole B.



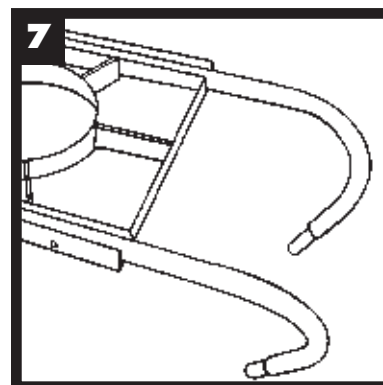
Attach nyloc nut (A4) to wheel assembly.



Using two wrenches, tighten to a snug fit.



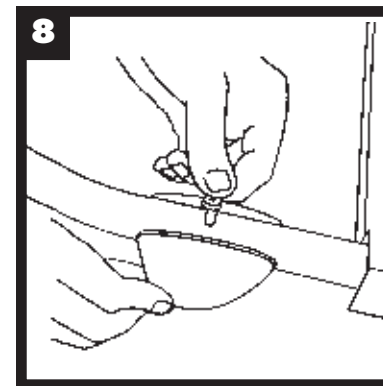
Insert hex head bolt (B1) into hole A. *Head of bolt to be outside of base*. Add washer (B2) to bolt from inside of base. Attach nyloc nut (B3) and tighten.



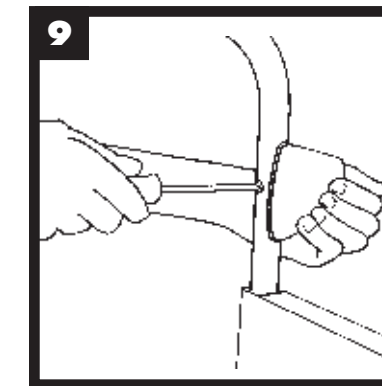
Repeat steps 2-6 for opposite lower leg. *Note that lower legs turn in, towards center.*

7

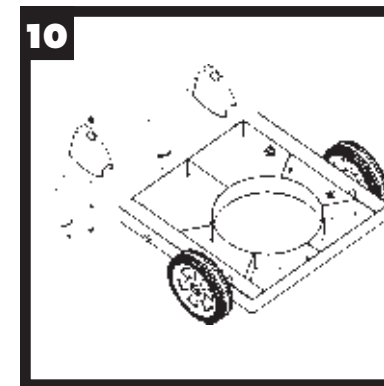
ASSEMBLY INSTRUCTIONS



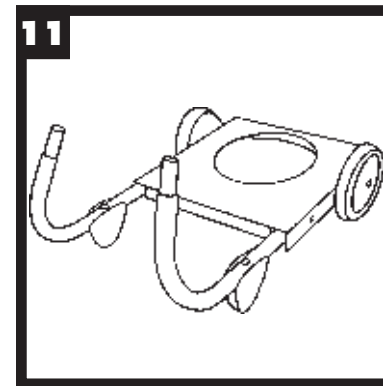
Place base frame on its side. Insert 2 1/2" pan head (C1) screw through hole in leg and into foot. Align foot with straighter edge toward curved leg.



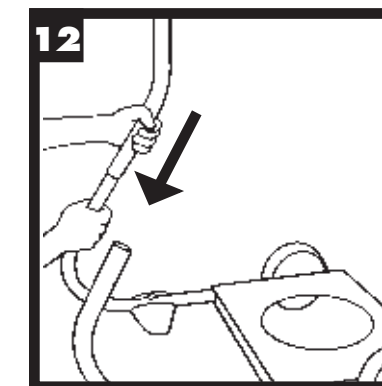
Turn base frame over and hold foot firmly against leg. Drop nut (C2) into leg (flat side down). Apply pressure with back of pencil or screwdriver while turning the screw to allow thread to catch. Place frame back on side. Apply outward pressure to foot while screwing clockwise.



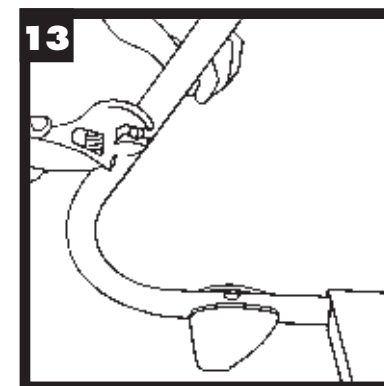
Repeat procedure for opposite foot.



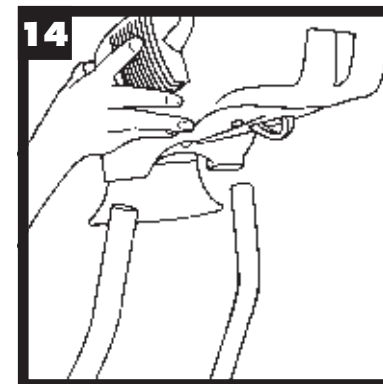
Turn completed base/leg/wheel assembly over to upright position. Add vaseline to top of legs.



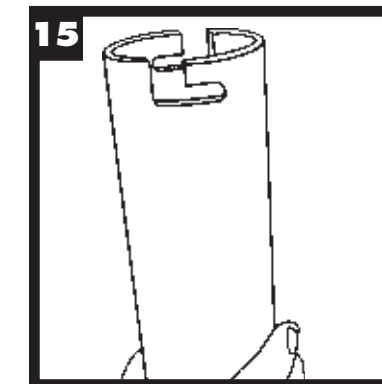
Attach upper legs by sliding onto lower legs.



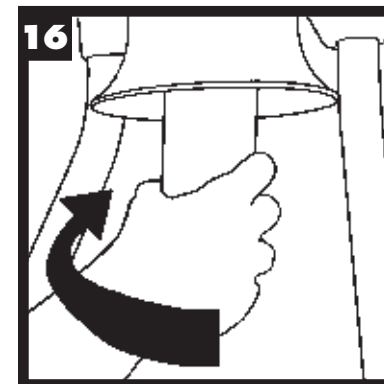
Align holes in upper and lower legs and insert pan-head screws (D1) with washer (D2) and nyloc nuts (D3) on inside of leg. Secure until moderately tight by using adjustable wrench and phillips head screwdriver. Do not tighten fully until entire assembly is complete.



Add vaseline to tops of legs first. Using two hands, mount Liberty power head onto leg assembly matching holes in power head to leg tops. Gas hose and regulator to face rear wheels. Tighten legs.



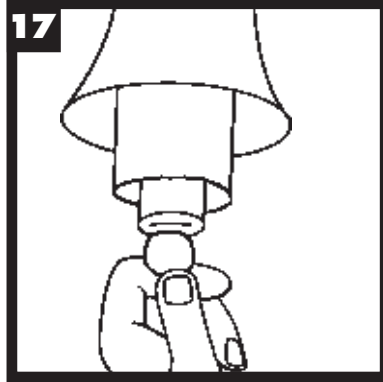
Take black carbon dioxide tube with slotted side up.



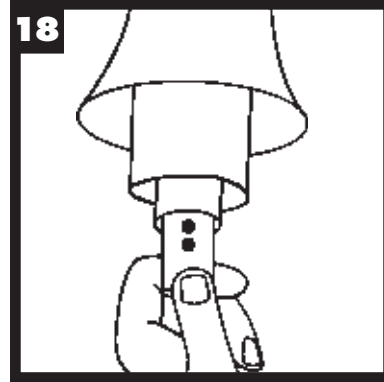
Insert carbon dioxide tube into trumpet. Align slots in tube with tabs in power head tube and turn clockwise until latching the CO₂ tube.

8

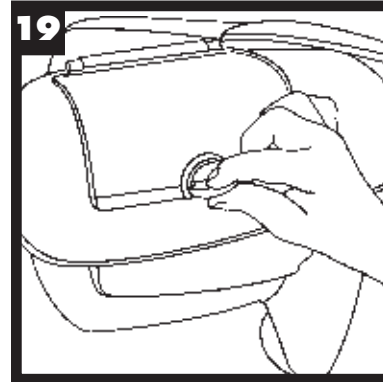
ASSEMBLY/STARTING INSTRUCTIONS



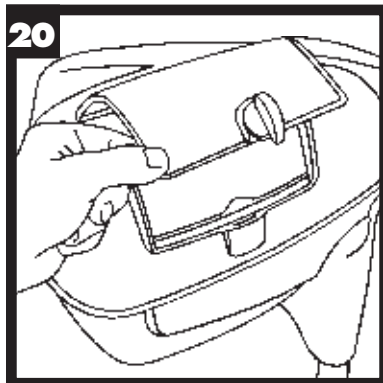
17 Peel cover from attractant cartridge. Using a coin, unscrew cover from attractant compartment inside of CO₂ tube.



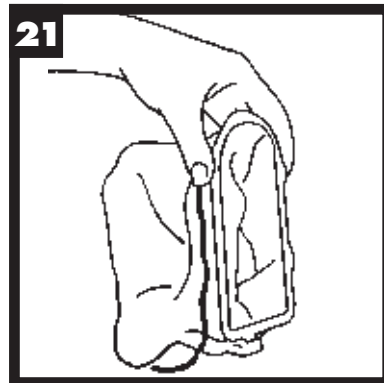
18 Slide attractant cartridge into compartment. Recap and secure tightly.



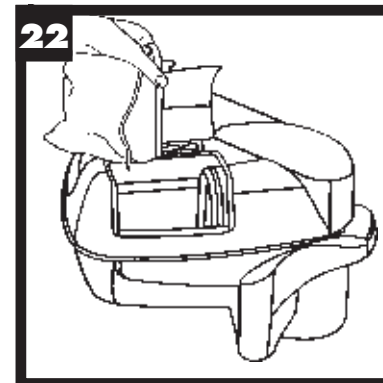
19 Unlatch net door by turning clockwise.



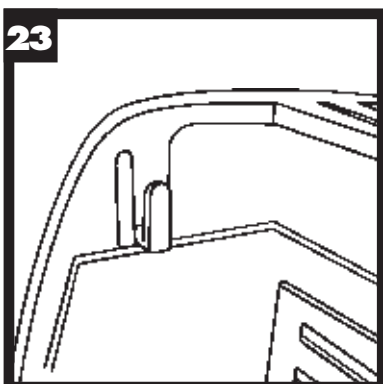
20 Carefully open net door.



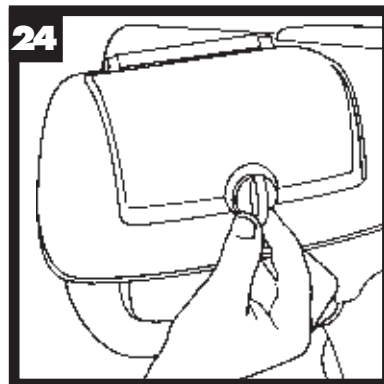
21 Take net and hold with string of net facing door. Make sure net entrance is fully open and that drawstring is not pulled at all, causing the entrance to be partially blocked.



22 Align bottom of net guide over top of black slotted collar. Slide net over collar. You will hear a click when net is secured.



23 Attach back of net onto tab provided inside of net housing. Place excess length of string towards door to avoid string getting drawn into fan.

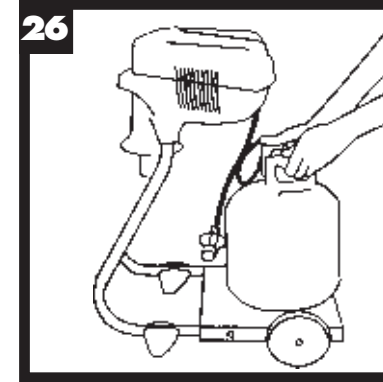


24 Close door and lock turning latch counter-clockwise. Trap will not maintain catch properly if net is not inserted correctly.

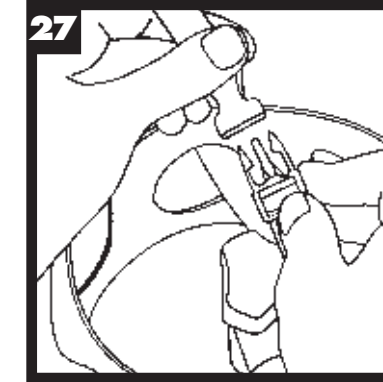


25 Using handle on front of Liberty, move your trap to desired location in yard. See "Trap Placement Instructions".

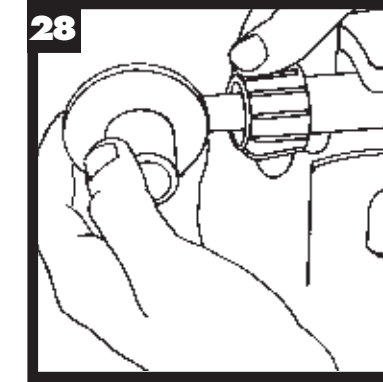
ASSEMBLY/STARTING INSTRUCTIONS



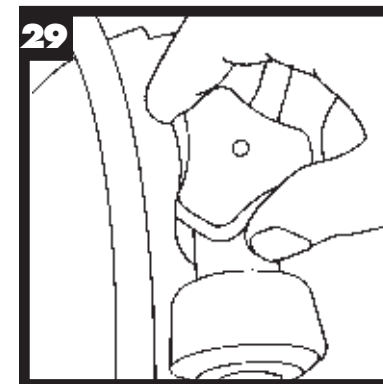
26 Place standard 20 lb. propane tank (not included) into round cradle hole in base.



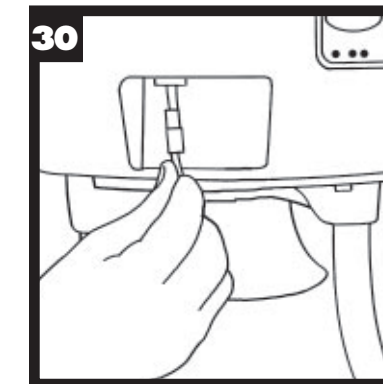
27 Clip tether from bottom of Liberty around tank handle. Tighten securely making sure not to dislodge tank from cradle position.



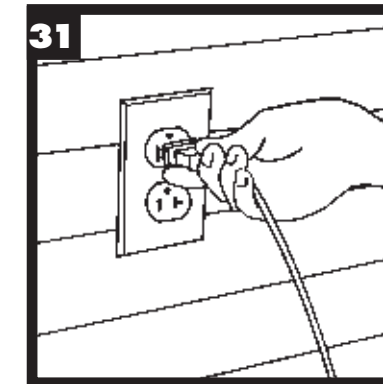
28 Making sure propane tank is fully closed, attach propane regulator hose to propane tank. Secure tightly by hand. Do not use tools. (Products which bear the UL mark are intended for use with LP provided in North America).



29 Turn propane on by slowly turning counterclockwise. Take care not to turn too quickly to avoid engagement of safety check valve in regulator.



30 Plug power connector into Liberty unit located on back-side of unit.



31 Plug adaptor into properly grounded electrical outlet. This adaptor is not intended to be mounted. For UL listed trap, use 120VAC adaptor. For CE marked trap, use 230VAC adaptor.

TRAP PLACEMENT INSTRUCTIONS

- 1 Determine the direction of the prevailing wind.
- 2 Stand in the center of the area you are trying to protect and look toward the prevailing wind. Proper placement of the Mosquito Magnet will be 30-40 feet in front of you, within 5-6 feet of ground cover (i.e., bushes, flowerbeds, treeline, marshbed, etc.)
- 3 It is recommended that the trap be placed in the shade.
- 4 Do not place trap directly above water source (sprinklers, hose, etc.).
- 5 Make sure unit is not directly up against a blockade such as a building or fence.
- 6 Trap must be placed on level ground to avoid tipping or uneven propane distribution.
- 7 For more information, refer to trap placement section of our website at www.mosquitomagnet.com

STARTING INSTRUCTIONS

- 1 Install additional attractant in designated compartment. (#18)
- 2 Install Net - You will hear a snap when bag is secure. (#20-23)
- 3 Close and turn latch on net door. Be sure net door is closed securely. (#24)
- 4 Make sure propane tank is fully closed. Attach propane regulator to propane tank. (#28)
- 5 Turn propane tank on (*slowly* turn valve knob all the way counter-clockwise). (#29)
- 6 Plug power connector into trap. (#30)
- 7 Plug AC adapter into electrical outlet. (#31) Caution: To avoid the risk of electrical shock, connect only to properly grounded outlets. Adaptor unit is not intended to be mounted.
- 8 Press "On/Reset" button – You will hear the fans start.
- 9 Yellow light will blink for approximately 5-7 minutes (Warm-Up Stage).
- 10 Following warm-up, yellow light will become constant for approximately 3 minutes (trap has reached specific temperature).
- 11 Yellow light turns off, green light will turn on (trap is fully operational).

SHUT DOWN INSTRUCTIONS

To shut down the Liberty, simply close the valve on the propane tank and press the "Off" button.

DO NOT UNPLUG UNIT. MOSQUITO MAGNET LIBERTY MUST REMAIN PLUGGED IN FOR 5 MINUTES AFTER SHUT DOWN OR UNTIL FAN STOPS TO AVOID HEAT DAMAGE.

Any open octenol or other added attractant packages should be removed and discarded. The net should also be discarded prior to storing the Mosquito Magnet Liberty.

STORAGE: Mosquito Magnet Liberty should be stored indoors in the off-season. Cover unit with trap cover (available at www.mosquitomagnet.com) or with a tarp and secure tightly at the bottom to keep out dust, spider webs and other debris.

TANK CHANGING TIP

When attaching the regulator handle to a tank after a tank change, be sure to fully tighten the regulator handle onto the tank. No need to use tools, but do turn the handle as far as possible by hand. When this is done, loosen the handle 1/4 turn, then re-tighten the handle. Frequently this action will result in additional turns beyond the 1/4 turn. The purpose for this is to fully engage the regulator onto the tank. If the regulator is not fully engaged, the flow of gas may be restricted to the point where the trap will show a gas empty code. If this occurs, press the off button, close the tank valve, and remove the regulator from the tank. Re-attach the regulator and try again.

FOR BEST RESULTS

- 1 Your trap will begin capturing immediately, but allow 4-6 weeks with trap running 24 hours/day to significantly reduce the biting insect population and interrupt breeding cycle.
- 2 Should you experience an interruption of power, be sure to restart the trap.
- 3 Clear door must be tightly secured to maximize catch.
- 4 Never spray insecticide in or around trap.
- 5 DO NOT MOVE TRAP WITH TANK ATTACHED! TANK MUST BE DISCONNECTED FROM REGULATOR BEFORE TRAP IS RELOCATED TO AVOID DAMAGE TO REGULATOR AND/OR TRAP. BE ADVISED, DAMAGE CAUSED FROM FAILURE TO COMPLY WITH THIS INSTRUCTION IS NOT COVERED UNDER WARRANTY.
- 6 Trap can be left running in the rain.
- 7 If using lime or lawn regenerative compounds, be sure to shut down the Mosquito Magnet first to prevent dust or fine mist from being drawn into trap and clogging net.
- 8 A standard, outdoor rated extension cord may be used to increase your trap area.
- 9 Octenol cartridge does not disintegrate. Smell will dissipate over time.



QUICK-CLEAR VALVE

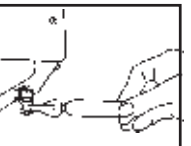
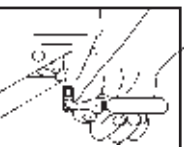
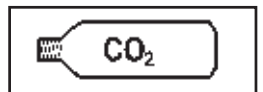
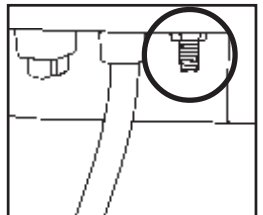
Recommended for use at first tank change, and every second tank change thereafter. Also recommended for use before seasonal storage to avoid build up of contaminant's during off-season.

The Quick-Clear valve is used to clear out propane contaminants in the fuel line, which may block the flow of propane from the tank to your Mosquito Magnet. The Quick-Clear valve is a gold, threaded knob located on the back of your trap. It should be used with the black and gold, L-shaped adapter included in the box with your Mosquito Magnet, and a 12 gram threaded CO₂ cylinder available on our website at www.mosquitomagnet.com or your local Mosquito Magnet Dealer.

Important: Extinguish all smoking materials prior to use of Quick-Clear Valve.
Do not stand directly behind cylinder during operation.

- 1 Shut down your Mosquito Magnet. Let fan run until it stops. (about 5 mins.)
- 2 Close the propane tank valve by turning to the "Off" position. (turn the tank valve clockwise)
- 3 Remove the protective cap from Quick-Clear valve on your trap.
- 4 Hand-screw gold end of L-shaped adapter on to Quick-Clear valve, until tight.
- 5 Hand-screw the CO₂ cylinder into black end of L-shaped adapter clockwise until hand tight.
- 6 Unscrew CO₂ cylinder 1/4 turn only in counter-clockwise direction. The flow of CO₂ will begin, lasting approximately 3 minutes. Be sure to allow CO₂ to run out completely. (hissing will stop when cylinder is empty. Note: CO₂ cylinder will be cold to the touch)
- 7 Continue unscrewing the CO₂ cylinder to remove. Discard empty CO₂ cylinder after use, it is not reusable or re-fillable. (Use caution when removing CO₂ cylinder, as some residual CO₂ may come out at this time.)
- 8 Remove L-shaped adapter by unscrewing gold end clockwise. (Remember to KEEP the black and gold adapter for future use!)
- 9 Replace Quick-Clear valve protective cap, and proceed with normal start up of your Mosquito Magnet.

If use of Quick-Clear valve feature does not resolve starting trouble, contact Tech Support 877-699-8727.

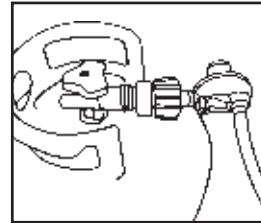
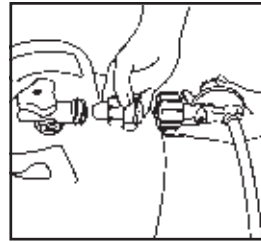


Use of protective eyewear is recommended

GAS RESET TOOL INSTRUCTIONS

If your Mosquito Magnet fails to start, it may be the result of poor gas flow from the propane tank through the regulator to the trap. The attached tool has been designed to reset the internal mechanisms of the propane regulator and release any back pressure from your tank. Please follow these steps:

- 1** Shut down your Mosquito Magnet.
- 2** Completely close the propane tank valve by turning to the "Off" position. (turn valve clockwise)
- 3** Disconnect the regulator from the propane tank valve.
- 4** Screw the threaded end of the reset tool into the propane tank valve until it is fully engaged. You may hear a small "hiss" sound. This is the pressure being released from the propane tank. Note: the threads in the tank valve are left handed threads. (turn valve counter clockwise)
- 5** Screw the regulator connector to the opposite end of the reset tool until fully engaged. Note: hold the reset tool to prevent it from backing out of the tank.
- 6** The regulator and propane tank are now reset. Disconnect the reset tool from the regulator connector and the propane tank.
- 7** Re-attach regulator connector to the propane tank valve.
- 8** Slowly turn the propane tank valve on .
- 9** Restart your trap.



MAINTENANCE

- 1** Propane tank should be refilled every 21 days.
- 2** Empty or replace net every 21 days.
- 3** See added attractant packaging for maintenance/ replacement instructions.
- 4** Accessories can be ordered at www.mosquitomagnet.com.
- 5** Store Octenol in a cool, dry place.
- 6** Clean net periodically for tree pollen or debris.
- 7** In the event the snap-on screen becomes clogged, remove and clean gently with toothbrush and cold water. Snap back in place aligning bottom edge first.
- 8** Periodically wipe down the outside of the Mosquito Magnet with a clean water damp cloth.

TROUBLESHOOTING GUIDE

| PROBLEM | POSSIBLE CAUSES | SOLUTIONS |
|--------------------------------|--|--|
| Unit won't start | <ol style="list-style-type: none"> 1) Is Propane tank empty? 2) If Propane tank is new, has it been purged? 3) There could be a loose connection. 4) If tank has been opened too quickly, security check valve may have triggered. | <ol style="list-style-type: none"> 1) Weigh tank and check against "empty" weight written on tank. 2) Bring tank to filling location. Air may be in fuel line. Ask for tank to be purged. *Hint-If you have another propane powered device operating on a standard, 20lb propane tank, try hooking that tank up to the Mosquito Magnet to verify that your issue is with your tank. 3) Verify all electrical connections. Make sure regulator is fully engaged, and propane tank valve is fully open. 4) Refer to Reset Tool Instructions on page 12. |
| Unit won't stay running | <ol style="list-style-type: none"> 1) Issues 1 and 3 may apply. 2) Fuel line may be blocked by propane contaminants. 3) Regulator is not fully engaged. | <ol style="list-style-type: none"> 1) Go through above steps 1 & 3. 2) See Quick-Clear valve instructions. 3) See Tank Changing Tips on page 11. |
| Low or No Catch | <p>If not getting bitten</p> <ol style="list-style-type: none"> 1) Insects may not be out yet. 3) Biting insect reproductive cycles have not yet been broken. 4) CounterFlow may be disrupted. 5) Added attractant may be incompatible with species of mosquito. <p>If getting bitten</p> <ol style="list-style-type: none"> 2) Trap placement issue. | <ol style="list-style-type: none"> 1) Verify temperature is consistently above 50°F (10°C). 2) Follow steps in the "Trap Placement" section of your owner's manual or go to www.mosquitomagnet.com "Placement" section. 3) Keep trap in constant operation 24 hours/day, 7 days/week for 4-6 weeks to interrupt the breeding cycle. 4) Conduct a "tissue test" by holding a facial tissue up to horn to check for airflow. 5) Call your local mosquito control department to find out if Asian Tiger is your primary species of mosquito. <i>Asian Tiger mosquitoes are not attracted to Octenol.</i> Remove Octenol cartridge from your unit, and wipe Octenol compartment with alcohol wipe to eliminate scent. |



All of us at American Biophysics want you to get complete satisfaction from your Liberty. Should you have any problems you cannot resolve, simply call one of our trained Technical Service Representatives at:

1-877-699-8727. We will help you get up and running.

BURYING THE POWER CORD

Use the Cord Burying Clips supplied. Place clips approximately 5' apart, tap into ground with a hammer making sue not to damage power cord. Make sure unit is unplugged and in proper position. For alternate placement follow steps illustrated below.



Use straight-edge shovel or garden spade, dig a trench about 3-4 inches deep from power source to trap.



Place cord into trench carefully stretching as you go to remove any twists in cord.



Use cedar shingle or folded cardboard to place cord into bottom of trench. Recover the trench with removed soil.

OPERATION CODES

| PROBLEM | RED LIGHT | YELLOW LIGHT | GREEN LIGHT |
|-------------------------------|-----------|--------------|-------------|
| Net is not installed properly | On | Off | Flashing |
| Gas is empty | On | On | Flashing |
| Ignitor not working | On | On | On |
| Thermistor not working | On | Flashing | On |
| Solenoid not working | On | Flashing | Flashing |
| High temperature reading | On | Off | On |
| Fan not operating | On | Flashing | Off |

If you should experience an Operation Code Problem, please contact our Technical Support Hotline at 1-877-699-8727 or visit our website at: www.mosquitomagnet.com.

LIMITED WARRANTY

This warranty, (1) year from the purchase of the unit, is extended only to the original purchaser/user of products.

American Biophysics Corp. warrants its products to be free from defects in materials and workmanship for the warranty period by the original purchaser/user.

For warranty service, please contact American Biophysics Technical Center (877-699-8727). Please indicate the nature of the defect.

After calling for warranty service, please contact the retailer where you bought your unit to determine if it is covered by any exchange policy.

If American Biophysics Corp. determines there may be a defect, American Biophysics Corp. will issue a return authorization (RMA) number. The defective unit or parts must be returned for warranty inspection using the RMA number, when applicable, as identification within (30) days of return authorization date. DO NOT return products to our factory without our prior consent, as they, as well as C.O.D. shipments will be refused. American Biophysics Corp., at its option, shall replace the unit, replace the defective part(s) and return such unit to you. American Biophysics Corp.'s sole obligation and your exclusive remedy under this warranty shall be limited to such replacement.

LIMITATIONS AND EXCLUSIONS: The warranty shall not apply to problems arising from normal wear, or failure to adhere to the enclosed instructions. In addition, the foregoing warranty shall not apply to serial numbered products if the serial number has been removed or defaced; products subject to negligence, accident, improper operation, maintenance or storage; products damaged by circumstances beyond American Biophysics Corp.'s control; or products modified (including, but not limited to modifications through the use of unauthorized parts or attachments) or repaired by anyone other than American Biophysics Corp. or its designee.

THE FOREGOING WARRANTY IS EXCLUSIVE AND IN LIEU OF ALL OTHER WARRANTIES, EXPRESS OR IMPLIED, INCLUDING WITHOUT LIMITATION THE IMPLIED WARRANTIES OF MERCHANTABILITY AND FITNESS FOR A PARTICULAR PURPOSE. IT SHALL NOT EXTEND BEYOND THE DURATION OF THE EXPRESS WARRANTY PROVIDED HEREIN, AND THE REMEDY FOR VIOLATIONS OF ANY WARRANTY SHALL BE LIMITED TO REPAIR OR REPLACEMENT OF THE DEFECTIVE PRODUCT PURSUANT TO THE TERMS CONTAINED HEREIN. AMERICAN BIOPHYSICS CORP. SHALL NOT BE LIABLE FOR ANY CONSEQUENTIAL OR INCIDENTAL DAMAGES WHATSOEVER.

This warranty gives you specific legal rights and you may also have other legal rights which may vary based on location.

PRODUCT REGISTRATION

Mail completed form today or register on-line at www.mosquitomagnet.com

First Name _____

Last Name _____

Address _____

City _____

State/Province _____ Zip Code _____

Country _____

Phone Number _____

Email Address _____

- How did you find out about the Mosquito Magnet (check all that apply)?
 - Radio Ad Direct Mail TV Ad
 - Friend/Family Website Magazine Ad
 - Newspaper Ad News Article (newspaper, magazine, TV, etc.)
 - Frontgate In-Store Display Other
- In your household who decided to purchase the Mosquito Magnet?
 - Male Female Both
- What is your marital status?
 - Married Single
- Are there any children in your household?
 - Yes No
- What are the two most important reasons influencing this purchase?
 - Protection from disease
 - Science/technology behind product
 - Recommendation of friend/family member
 - Recommendation of salesperson
 - Reputation of quality
 - Comfort
 - Received as gift
 - Other
- What is your age?
 - 25-35 36-45 46-55 56-70 70+
- What is your level of education?
 - High School Diploma College Degree Graduate Degree Doctoral Degree Technical/Professional
- Which best describes the size of your yard?
 - 1/4-1/2 acre 1/2-3/4 acre 3/4-1 acre 1-2 acres
- What is your annual income?
 - \$25,000-40,000 \$40,000-60,000 \$60,000-90,000 Over \$90,000
- What other brands of insect abatement have you tried?
 - Zappers Sprays Pesticides Other CO₂ Traps Name _____
- Would you consider giving a testimonial once you are thoroughly convinced of the effectiveness of the Mosquito Magnet?
 - Yes No
- Would you recommend the Mosquito Magnet to a friend?
 - Yes No
- Were the assembly directions and operation instructions explained clearly and simply?
 - Yes No
- Did you require customer service?
 - Yes No

NECESSARY INFORMATION

IN ORDER TO PROPERLY REGISTER YOUR PRODUCT WITH AMERICAN BIOPHYSICS CORPORATION, THE FOLLOWING INFORMATION IS REQUIRED.

Type of unit: _____

Serial Number: _____

Date of purchase: _____

Place of purchase: _____

Consumer Confidentiality
All of the information that has been gathered on this reply card is solely for the internal sales and marketing efforts of American Biophysics Corporation. None of the information that you may have provided will be sold, rented or leased to any other company, organization or agency for any purpose whatsoever. None of this information will be posted on our company website or any other vehicle that can be obtained by the public domain. If you wish to make additional comments or testimonials about our product, please address them separately and send them to our Marketing Department at the address listed inside the manual.